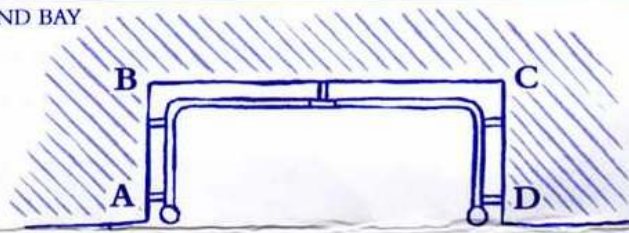


MEASURING BAY WINDOWS

Identify the type of bay window you have, take the measurements as indicated of the actual wall. We will work out the angles and lengths required allowing for bracket standoff etc. (alternatively write in the actual angles on the appropriate diagram if you know them)
 All poles are supplied in 2 parts, joining with a bracket in the middle of the centre window, all poles are supplied oversize to be cut down on site.

SQUARE 2 BEND BAY

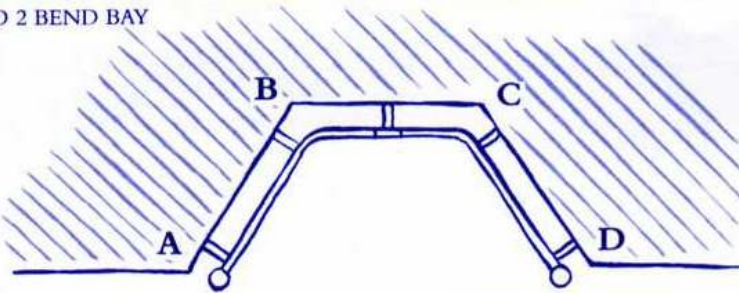


LENGTHS REQUIRED

Dimensions in mm or ins (Please tick)

A B	B C
C D	A D

SPLAYED 2 BEND BAY

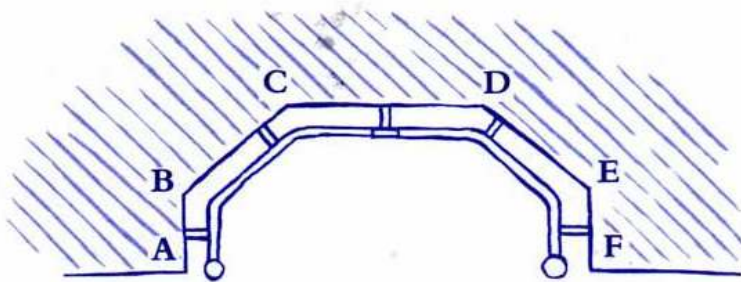


LENGTHS REQUIRED

Dimensions in mm or ins (Please tick)

A B	B C
C D	A D
A C	B D

SPLAYED 4 BEND BAY

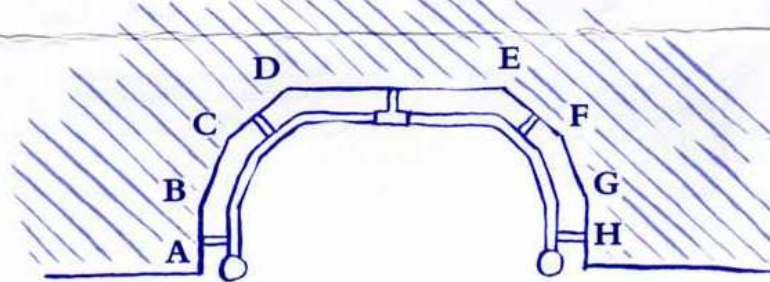


LENGTHS REQUIRED

Dimensions in mm or ins (Please tick)

A B	B E
B C	A F
C D	B D
D E	C E
E F	

SPLAYED 6 BEND BAY

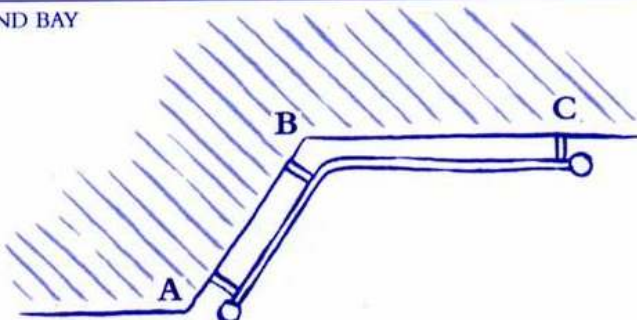


LENGTHS REQUIRED

Dimensions in mm or ins (Please tick)

A B	G H
B C	C F
C D	B G
D E	A H
E F	C E
F G	D F

SINGLE BEND BAY



LENGTHS REQUIRED

Dimensions in mm or ins (Please tick)

A B	B C
-----	-----

Angle

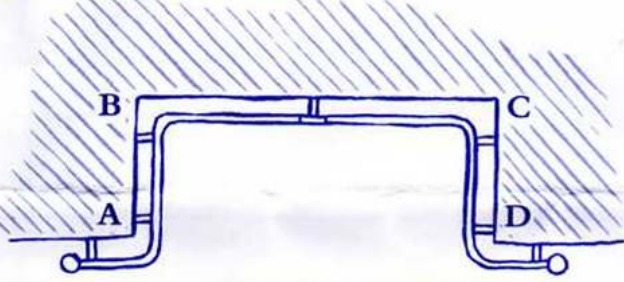
**HOW MANY CURTAINS
WILL YOU HANG?**

CENTRE BRACKET: If more than one curtain, please show required centre and supply measurements.

MEASURING BAY WINDOWS

Identify the type of bay window you have, take the measurements as indicated of the actual wall. We will work out the angles and lengths required allowing for bracket standoff etc. (alternatively write in the actual angles on the appropriate diagram if you know them)
 All poles are supplied in 2 parts, joining with a bracket in the middle of the centre window, all poles are supplied oversize to be cut down on site.

SQUARE 4 BEND BAY INCLUDING RETURNS



LENGTHS REQUIRED

Dimensions in mm or ins (Please tick)

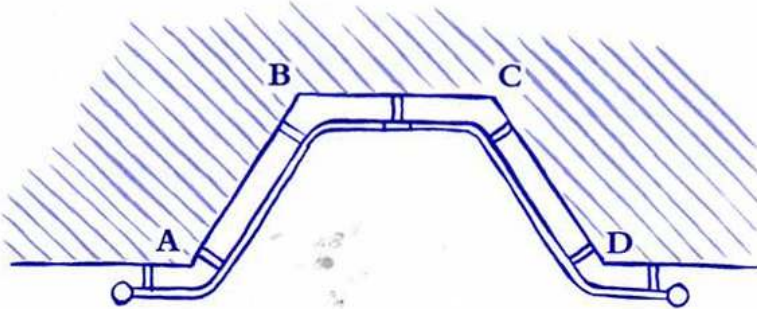
A B

B C

C D

A D

SPLAYED 4 BEND BAY INCLUDING RETURNS



LENGTHS REQUIRED

Dimensions in mm or ins (Please tick)

A B

B C

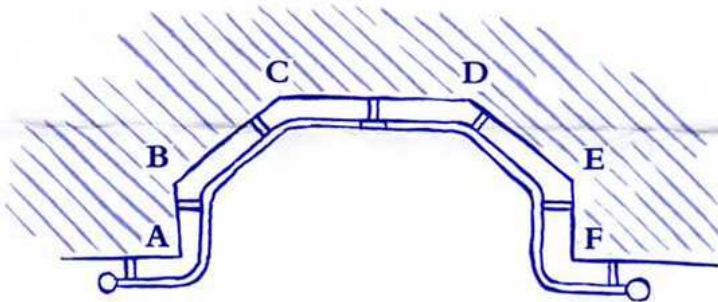
C D

A D

A C

B D

SPLAYED 6 BEND BAY INCLUDING RETURNS



LENGTHS REQUIRED

Dimensions in mm or ins (Please tick)

A B (Not less than 200mm/8ins)

B C

C D

D E

E F (Not less than 200mm/8ins)

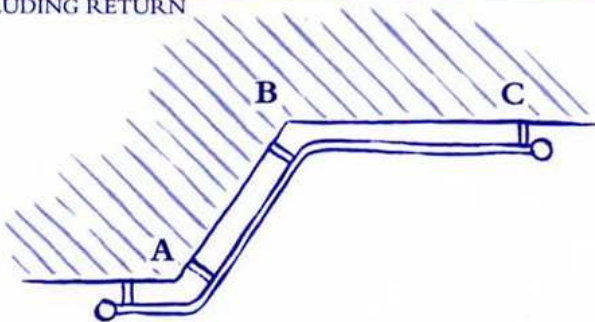
B E

A F

C E

D B

2 BEND BAY INCLUDING RETURN



LENGTHS REQUIRED

Dimensions in mm or ins (Please tick)

A B Angle

B C Angle

HOW MANY CURTAINS WILL YOU HANG?

CENTRE BRACKET
 If more than one curtain, please show required centre and supply measurements.